

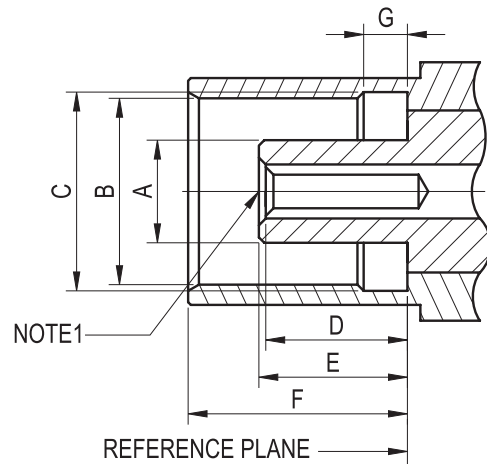
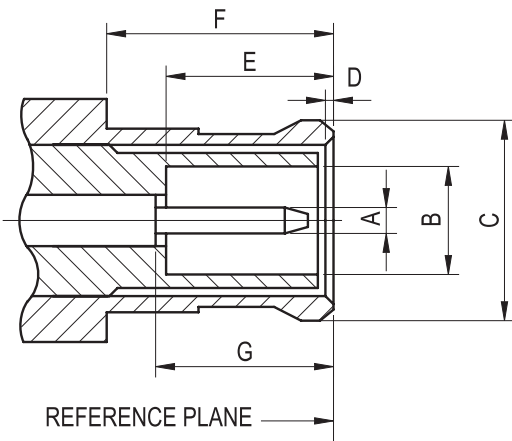
Specifications

MCX SERIES

Electrical		Material		
Impedance	50 ohm	Parts Name	Material	Finish
Frequency Range	0-6 GHz	Body, Metal Parts	Brass per QQ-B-626	Nickel or Gold*
Voltage Rating	335 VRMS	Center Contacts	Plug: Brass per QQ-B-626	Gold
Dielectric Withstanding Voltage	1000 Volts		Jack: Beryllium copper per QQ-C-530	
VSWR	Straight: 1.3 at 6GHz	Insulators	Teflon	None
	Right Angle: 1.5 at 4GHz	Gasket	Silicone Rubber	
Contact Resistance	Center Contact: 5 Milliohms Max.	Crimp Ferrules	Annealed copper	Nickel or Gold *
	Outer Contact: 2.5 Milliohms Max.			
Insulator Resistance	1000 megohms min.	Note : Other Material / Finish is Available on Request.		

Mechanical	
Engagement Force	3.4 lbs. max.
Disengagement Force	4.5 lbs. max.
Contact Retention	4 lbs. min.
Durability(Mating)	500 cycles min.(for Beryllium Copper female contact only)

Interface Mating Dimensions



PLUG		
Letter	Millimeters	
	Minimum	Maximum
A	0.48(.019)	0.53(.021)
B	2.00(.079)	2.07(.081)
C	3.66(.144)	3.76(.148)
D	0.00	0.30(.012)
E	2.81(.111)	3.20(.126)
F	4.16(.164)	-
G	2.81(.111)	3.20(.126)

JACK		
Letter	Millimeters	
	Minimum	Minimum
A	1.80(.071)	1.97(.078)
B	3.43(.135)	3.48(.137)
C	3.61(.142)	3.75(.148)
D	2.31(.091)	2.79(.110)
E	2.61(.103)	2.79(.110)
F	4.00(.157)	4.12(.162)
G	0.75(.030)	0.85(.033)

NOTE 1 : I.D. TO MEET VSWR AND CONTACT RESISTANCE WHEN MATED WITH 0.48/0.53 MM DIA. PIN.