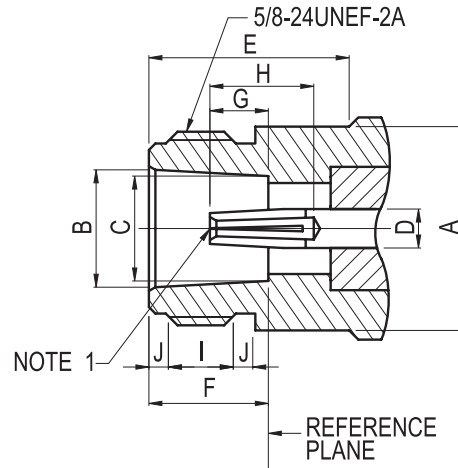
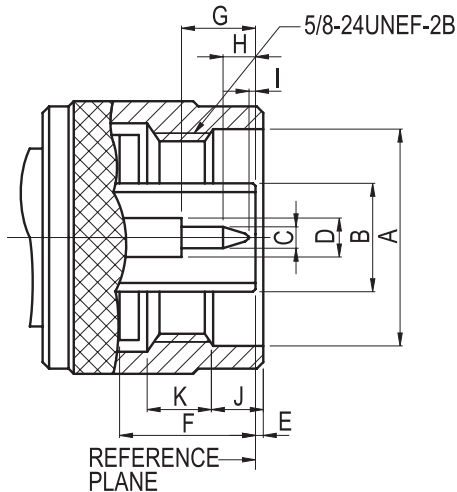


Specifications

Electrical		Material		
Impedance	50 ohm nominal	Parts Name	Material	Finish
Frequency Range	0 - 11 GHz	Center Contact	Plug: Brass	Gold plated*
Voltage Rating	1500 Volts peak		Jack: Phosphor Bronze (nominal) or Beryllium Copper	
Dielectric Withstanding Voltage	2500 Volts peak	Metal parts	Brass	Nickel*
VSWR	Straight: 1.3 max.	Insulators	Teflon	None
	Right Angle: 1.5 max.	Clamp gaskets	Silicone rubber, Synthetic rubber	
Contact Resistance	Center Contact: 3 Milliohms Max.	Crimp Ferrules	Annealed copper	Nickel*
	Outer Contact: 2 Milliohms Max.	*Silver plated body or contact is only available for special requirement		
Insulation Resistance	5000 megohms min.	Note: 75 ohm series connectors are not intermateable with the 50 ohm series.		

Interface Mating Dimensions



PLUG		
Letter	Millimeters	
	Minimum	Maximum
A	16.00(.630)	-
B	-	8.38(.330)
C	1.60(.063)	1.68(.066)
D	3.00(.118)	3.15(.124)
E	0.41(.016)	1.52(.060)
F	10.11(.398)	10.46(.412)
G	5.33(.210)	5.84(.230)
H	3.30(.130)	4.32(.170)
I	0.08(.003)	-
J	4.01(.158)	4.27(.168)
k	4.50(.177)	5.00(.197)

JACK		
Letter	Millimeters	
	Minimum	Minimum
A	-	15.93(.628)
B	8.53(.336)	8.74(.344)
C	8.03(.316)	8.13(.320)
D	3.00(.118)	3.15(.124)
E	10.72(.422)	-
F	9.04(.356)	9.19(.362)
G	4.75(.187)	5.26(.207)
H	5.33(.210)	-
I	4.37(.172)	5.13(.202)
J	1.19(.047)	1.96(.077)

NOTE 1 : I.D. TO MEET VSWR AND CONTACT RESISTANCE WHEN MATED WITH 1.6/1.68 MM DIA. PIN.