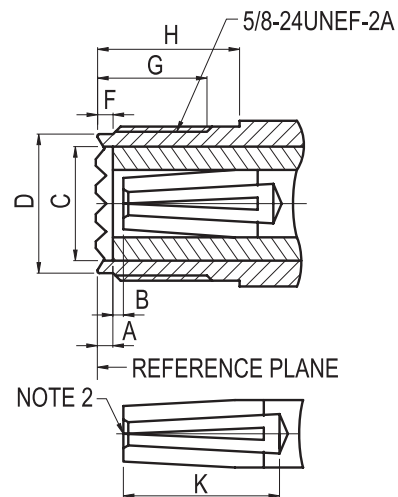
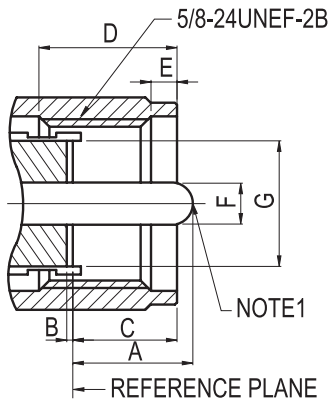


Specifications

UHF Electrical		Material		
Impedance	Non Constant	Component	Material	Finish
frequency Range	0-200 MHz	Center Contact	Plug : Brass	Gold or Silver plated*
Voltage Rating	500 Volts peak		Jack : Brass or Phosphor Bronze	
Mini UHF Electrical		Metal parts	Brass or Zinc diecast	Nickel plated
Impedance	50 ohm nominal	Insulators	Teflon, Phenolic, Delrin*	None
frequency Range	0-2GHz	Crimp Ferrule	Annealed Copper	Nickel plated
Working Voltage	335 Volts rms.	* UHF has silver plated center contact, phenolic insulator. Mini-UHF has gold plated center contact, Delrin or Teflon insulator.		
Dielectric Withstanding Voltage	1000Volts rms.			
VSWR	Straight : 1.3 max.			
	Right Angle : 1.5 max.			
Insulation Resistance	5000 megohms(min)			

UHF SERIES

Interface Mating Dimensions



PLUG		
Letter	Millimeters	
	Minimum	Maximum
A	-	11.10(.437)
B	0.00	-
C	-	9.91(.390)
D	8.76(.345)	-
E	1.19(.047)	4.27(.168)
F	3.91(.154)	4.01(.158)
G	11.56(.455)	12.22(.481)

JACK		
Letter	Millimeters	
	Minimum	Minimum
A	1.02(.040)	-
B	0.03(.001)	-
C	11.56(.455)	12.22(.481)
D	-	14.25(.561)
F	1.19(.047)	1.96(.077)
G	7.87(.310)	-
H	11.10(.437)	-
K	11.76(.463)	-

NOTE1 : FORM OF INNER CONDUCTOR OPTIONAL.

NOTE2 : I.D. TO MEET GOOD ELECTRICAL CONTACT WHEN MATED WITH 3.91/4.01MM DIA. PIN.