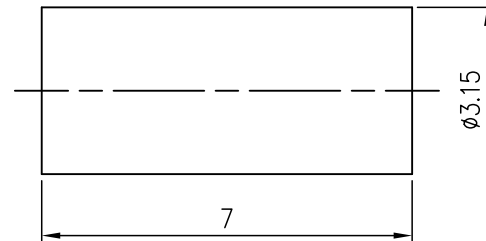
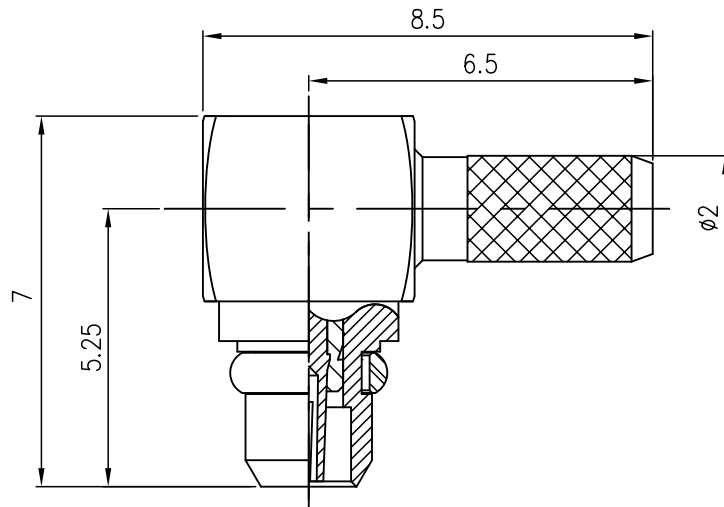



RECOMMEND CABLE STRIPPING DIM'S



⑦	PA-00014	INSULATOR	TEFLON	D <sub>α</sub>	1	DIMENSIONS ARE IN MILLIMETERS UNLESS STATED OTHERWISE. TOLERANCES 0.5-6 = ±0.2 6-30 = ±0.4 30-120 = ±0.6 120-315 = ±1 315-1000 = ±1.6 1000-2000 = ±2.4	SIZE	APPROVALS		DATE	TITLE	MMCX R/A CRIMP REVERSE POLARITY PLUG (FOR RG178/196/U CABLE)		
⑥	MB-10021	FERRULE	C2700	Ni 100u" + Au 1u"	1		7 : 1	DRAW	Nico L	051409	MODEL	MMCX-A3821101R7	REV.	A
⑤	MA-10201	BODY	C3604	Ni 100u" + Au 1u"	1		UNIT						CHECK	Kaven L
④	PA-00050	INSULATOR	TEFLON	D <sub>α</sub>	1		mm	APPROVE	River H	051409	 JY CHYUN ENTERPRISE CO.,LTD. JY CHYUN			
③	MA-10205	CONTACT PIN	C5441	Ni 100u" + Au 3u"	1		PROJECT							
②	MA-10039	WASHER	C17300	Ni 100u" + Au 1u"	1									
①	MA-10040	COVER	C3604	Ni 100u" + Au 1u"	1									
NO.	DRAWING NO.	NAME	MATERIAL	FINISH	Q.TY									