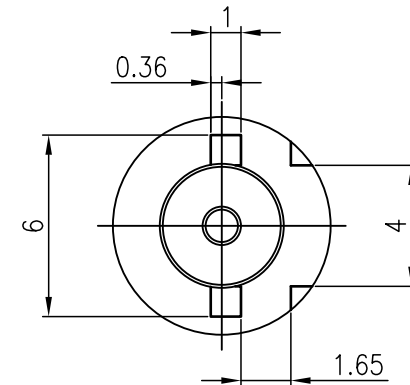
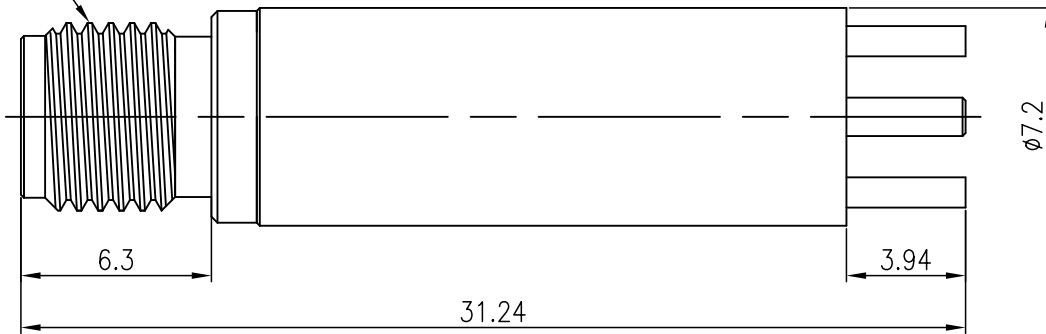



1/4-36UNS-2A



					DIMENSIONS ARE IN MILLIMETERS UNLESS STATED OTHERWISE. TOLERANCES		SIZE	APPROVALS		DATE	TITLE	SMA EDGE MOUNT JACK	
					0.5-6 = ±0.2	4 : 1	DRAW	Nico L	081208	MODEL	SMA-A3716101ZO	REV.	A
					6-30 = ±0.4	UNIT						CHECK	Kaven L
					30-120 = ±0.6	mm	APPROVE	River H	081208	 JY CHYUN ENTERPRISE CO.,LTD. JY CHYUN			
NO.	DRAWING NO.	NAME	MATERIAL	FINISH	Q.TY	120-315 = ±1							PROJECT
					315-1000 = ±1.6	⊕ □							
					1000-2000 = ±2.4								
④	MA-10092	CONTACT PIN	C5441	Ni 100u" + Au 3u"	1								
③	MA-10070	BODY	C3604	Ni 100u" + Au 1 ~ 2u"	1								
②	MA-10093	BODY	C3604	Ni 100u" + Au 1 ~ 2u"	1								
①	PA-00017	INSULATOR	TEFLON	NATURAL	2								